

DALI MASTER cod.9.000.066



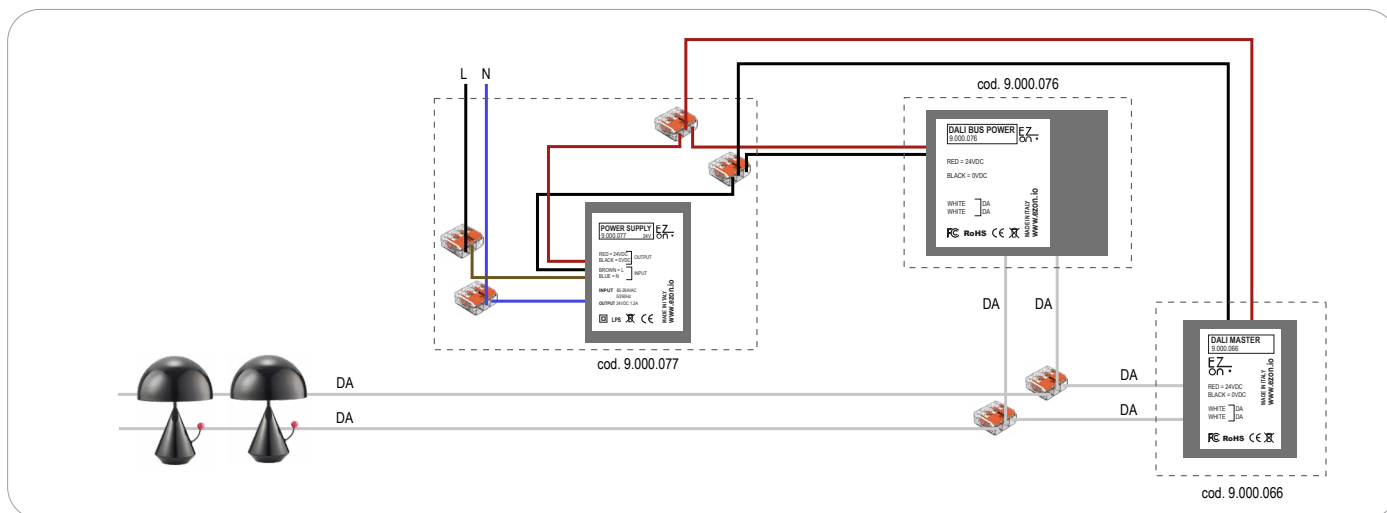
Product code: 9.000.066
 Volatage: 35 x 29 x 10mm
 Size: 24VDC - 10mA



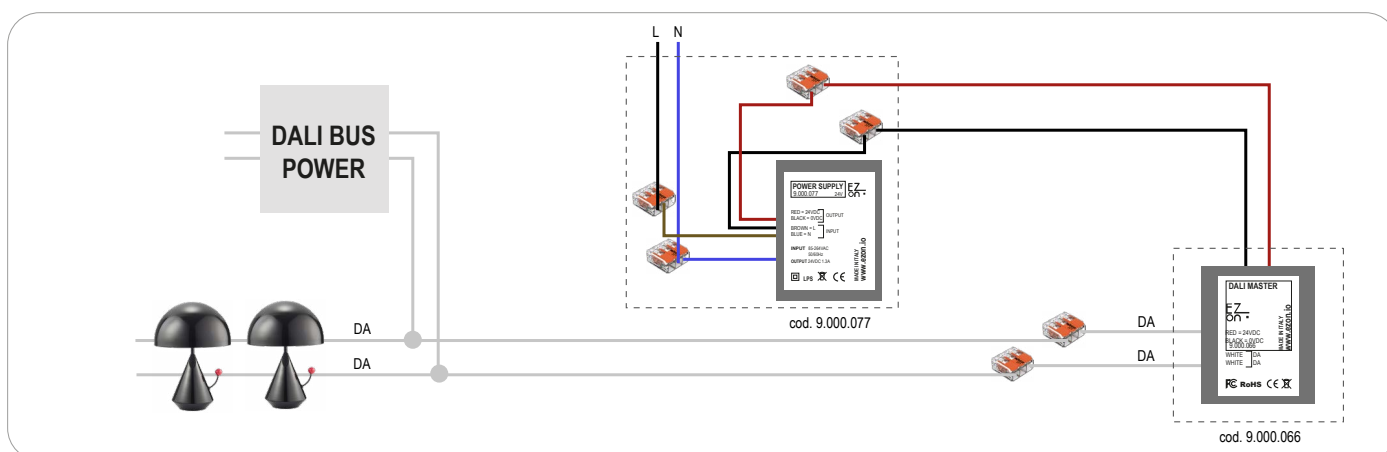
ezone.io Dali Master is a controller for Dali lamps.

All Dali lamps connected to the same Master will be controlled in broadcast mode. Like all ezone.io devices, it is fully configurable and programmable.

1. BUS POWER NOT PRESENT IN THE DALI SYSTEM



2. BUS POWER ALREADY PRESENT IN THE DALI SYSTEM



The ezone.io ecosystem is manageable and programmable with the ezone.io companion APP. Available for free download from App Store and Google Play.



The ezone.io products should not ever be used in any way to manage medical devices or other technical products which are critical for the functioning of lifesaving or supporting systems, cause in the case of failure that may lead to the death or injury of a person. Usage of ezone.io devices in such systems requires the explicit written permission of the Mediatech Srl CEO.

For further information www.ezone.io.

