

MAGNESIO



Product code:

9.000.046 | 9.000.047 | 9.000.048 | 9.000.049

Magnesio it is made in accordance with the provisions of the CEI EN 60598-1 standard and complies with the EMC directive 89/336 EEC and with the directive 72/23 EEC - 93/68 EEC - 2002/95/EC

CE  **IP20**

Installation and use instructions

The safety of this appliance is guaranteed only by correctly consulting these instructions: it is therefore necessary to keep them.

Illunaluce reserves the right to make technical changes at any time.

Illunaluce declines any responsibility for products modified without prior authorization.

WARNINGS:

This luminaire is equipped with an LED source and has been tested according to the current EN62471, EN60598-1 regulations.

The replacement of the light source contained in this lighting system must be carried out exclusively by Illunaluce.

For information contact Illunaluce.

Clean with a soft cloth. Avoid contact between liquids and electrical components.

Suspended installation.

Single assembly, in a continuous row with free composition.

Electronic power supply.

Dimmable.

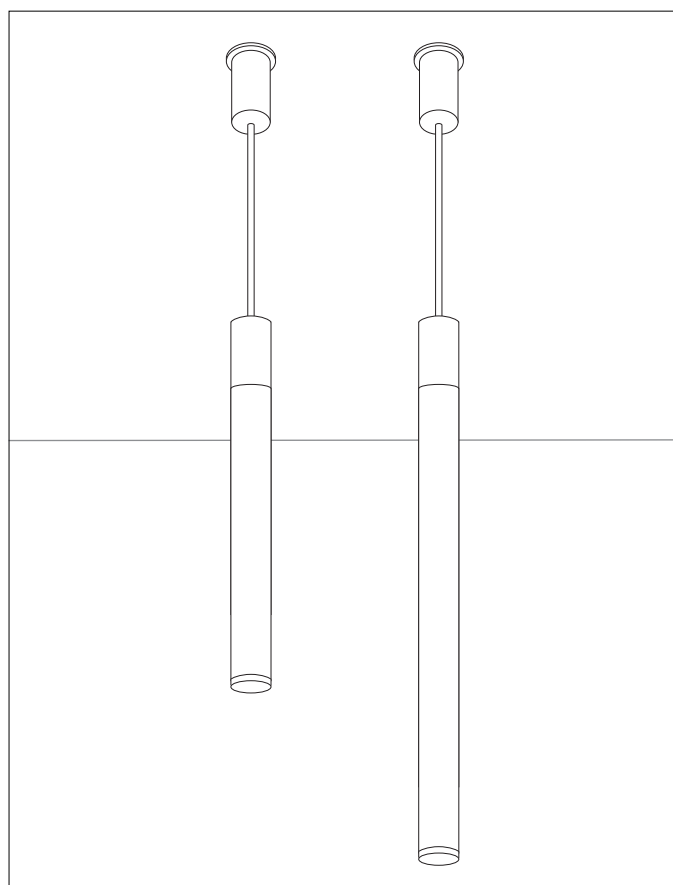
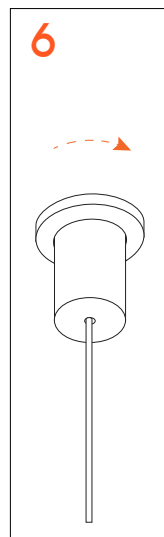
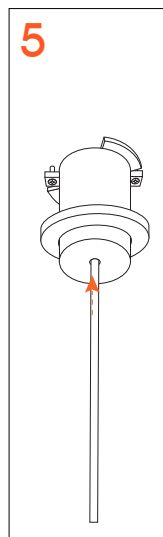
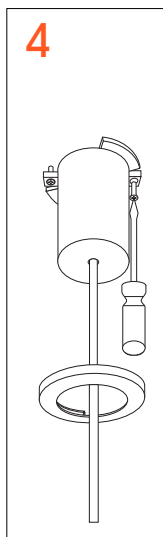
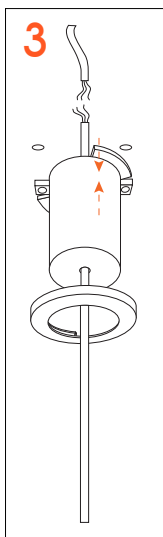
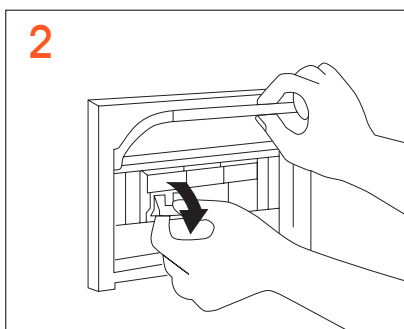
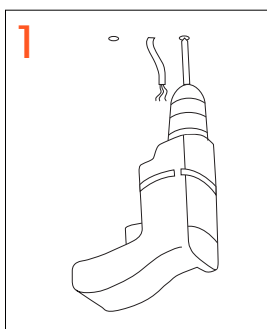
To start..

Unpack the product.

Take measurements on the wall and drill, inserting the supplied plugs and the appropriate hook.

Hang the lamp by screwing the tie rods.

Turn off the electricity and connect the wires.



INSTALLATION INSTRUCTION AND EXAMPLES OF USE

MADE IN ITALY



www.illunaluce.it

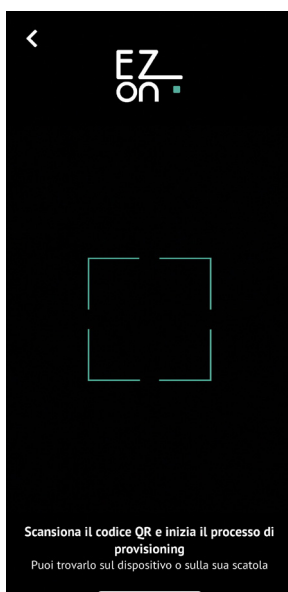
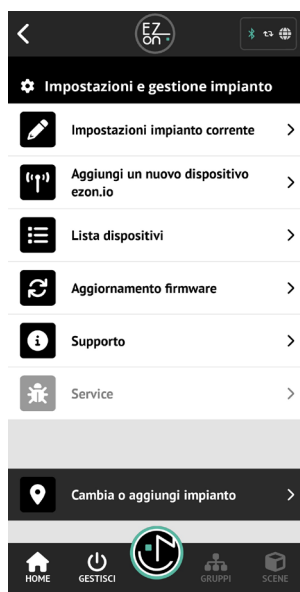
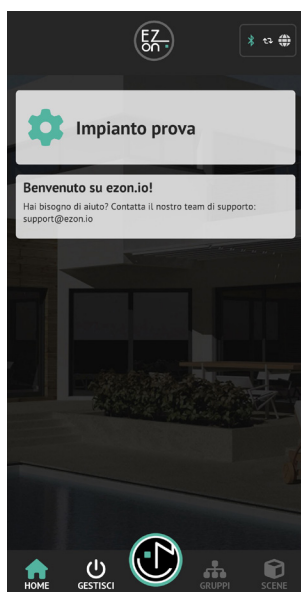
MAGNESIO

The **ezon.io system** can be managed and programmed through the ezon.io APP, available for iOS and Android and downloadable for free from the relevant store.



Add a device

- Open the **ezon.io APP** and log in or, if you do not yet have the credentials to log in, proceed with registration. If there are no systems associated with your account yet you will be asked to create a new one, alternatively select the desired one from the list;
- From the initial screen, click on the symbol  corresponding to the name of the system.
N.B. If the system shown on the initial screen is not the one in which you wish to insert the new device, remember to modify it by clicking on the “Change or add system” item in the “**System settings and management**” menu;
- Select “**Add a new ezon.io device**”  ;
ATTENTION: before proceeding with scanning the QR code, connect Magnesio to a power socket and turn on the lamp with the appropriate button.
- Frame the pairing QR Code on the device. To be able to carry out this operation you must have given authorization to the phone's camera;
- Follow the instructions provided by the APP.



The lamp can now be adjusted: lower or raise the light intensity and turn it on or off.

To control the lamp from the APP, click on “**MANAGE**”  and then select the device to control.

Furthermore, it is also possible if connected to special ezon.io devices, such as light sensors, wireless buttons or switches, to configure them to best manage the operation of your smart lamp.

This can be done by clicking on the “**OPERATION LIST**” button.

For further information regarding the use of the APP, refer to the online guide by scanning the QR Code.



APP INSTRUCTIONS

