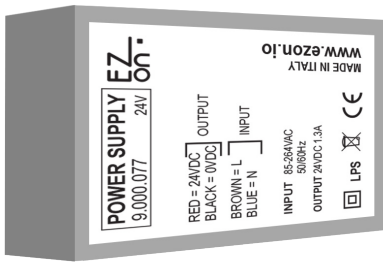


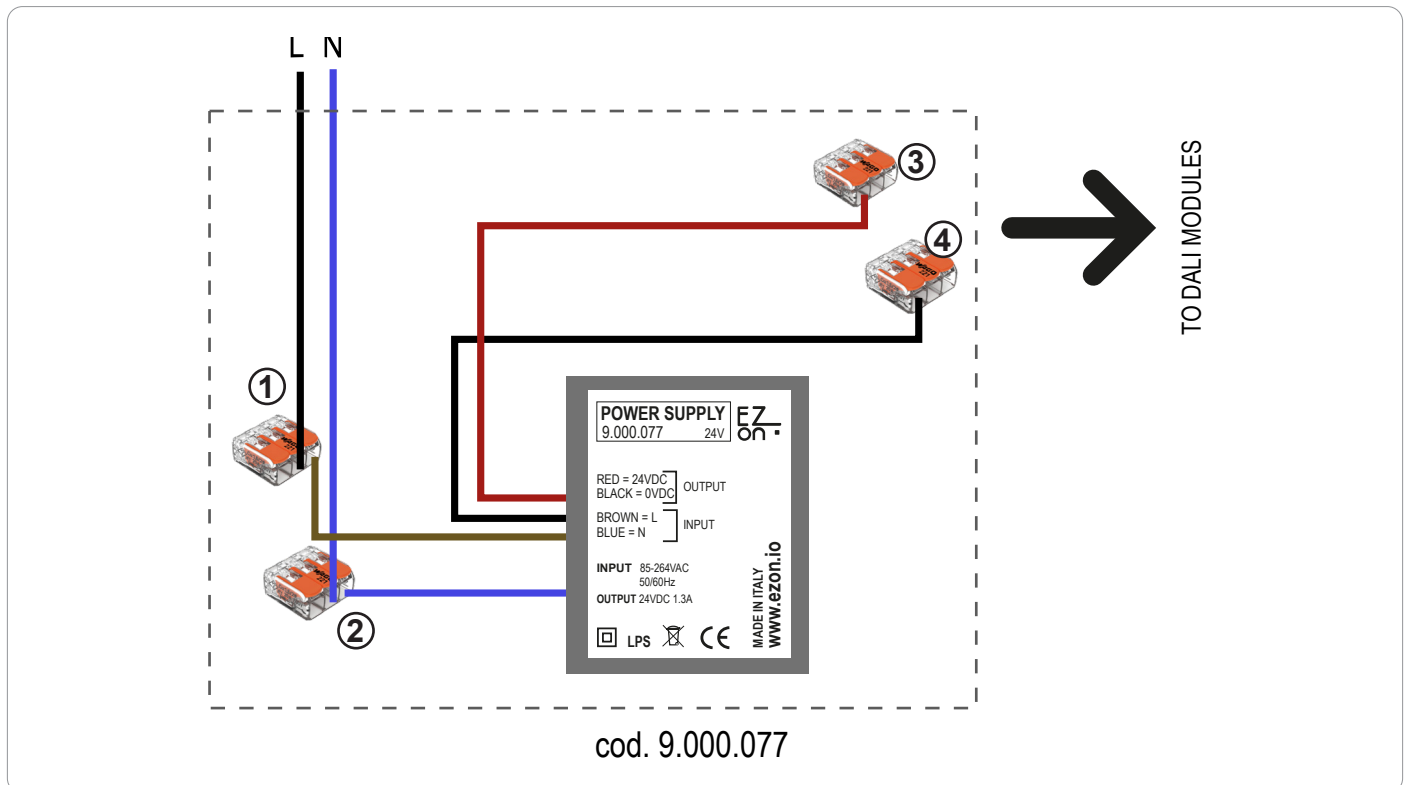
POWER SUPPLY 24V

cod. 9.000.077



Product code: 9.000.077
 Sizes: 56 x 31 x 32mm
 Input voltage: 85 ~ 305VAC - 120 ~ 430VDC 47 ~ 440Hz
 Output voltage: 24V
 Output current: 0.63A

 **MADE IN ITALY**



Ezon.io Power Supply 24V cod. 9.000.077 is a 24vdc power supply

- Connect the phase and neutral of the 24V power supply (brown and blue cables) to the phase (black or brown) and neutral (generally blue) of your system, thanks to the quick connectors supplied with product 9.000.077. (points 1 and 2)
- Connect the positive (red cable) of the 24V power supply with the positive of the device to be powered using the quick connector supplied with the product 9.000.077. (point 3)
- Connect the negative (black cable) of the power supply with the negative of the device to be powered using the quick connector supplied with the product 9.000.077. (point 4)

The ezon.io products must not be used in any way for the management of medical devices or other technical products critical to the operation of life support or life saving systems, as in the event of a malfunction they could lead to death or serious personal injury. Any use in the aforementioned systems requires explicit written permission from the CEO of Mediatech srl.

To learn more, visit www.ezon.io.