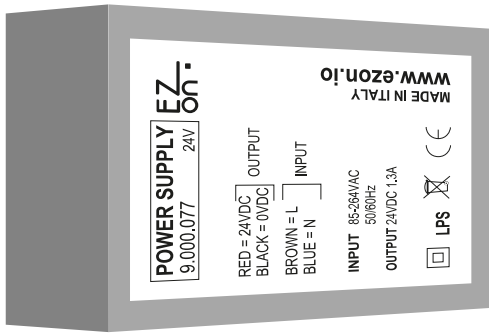


POWER SUPPLY 24V cod.9.000.077



Product code: 9.000.077
Size: 56 x 31 x 32mm
Input voltage: 85 ~ 305VAC - 120 ~ 430VDC
47 ~ 440Hz
Output voltage: 24V
Output current: 0.63A
Warranty: 2 years

MADE IN ITALY



The AC-DC power supply single output 15W has a rated output current of 0.63A at 24VDC.

It features a universal input power voltage ranging from 85VAC to 305VAC and 120VDC to 430VDC. The power supply meets anti-vibration requirements up to 5G capability. Provides dust and moisture resistance while improving heat dissipation. The power supply includes built-in EMI filtering components along with excellent EMC characteristics that prevent electromagnetic interference.

Features and Benefits

Extremely versatile

Low no-load power consumption less than 0.1W.

High efficiency up to 83%

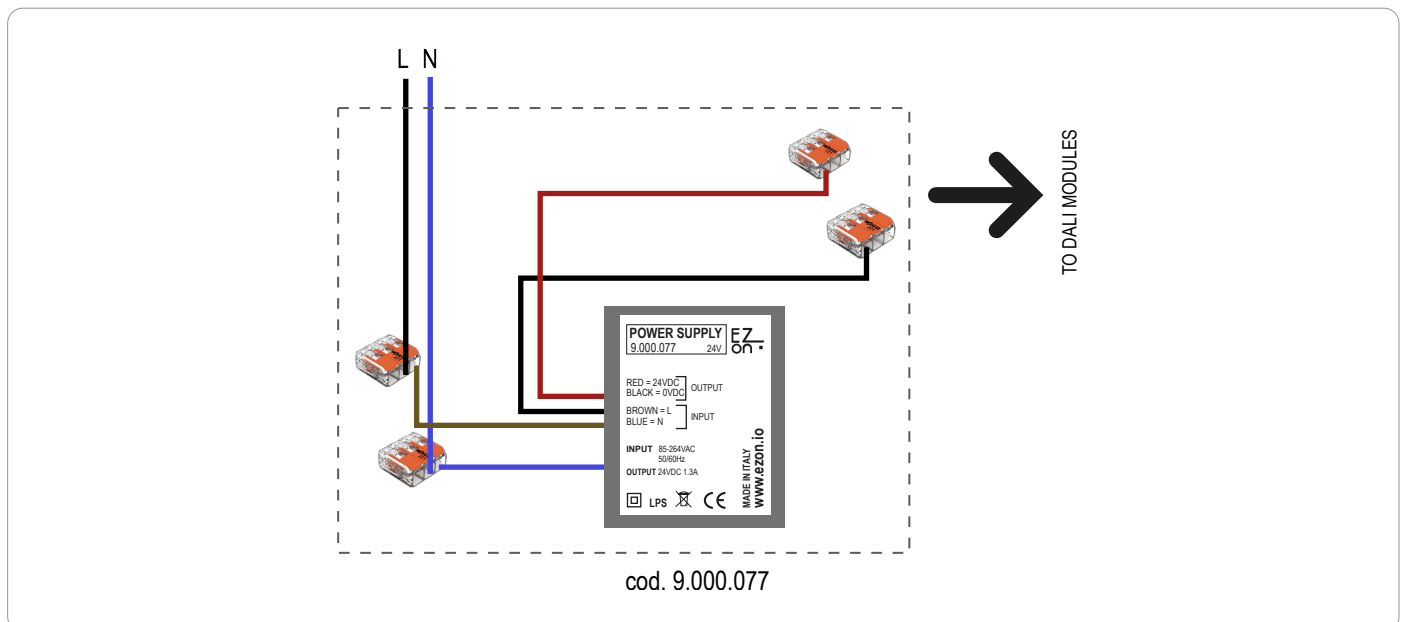
Overload, Overvoltage and short circuit protection

Cooled by natural convection

100% full load burn-in test

High reliability

This ballast is to be used to power Dali devices. For all other devices, use the 5V 3W Power Supply (code 9.000.033).



The ezon.io ecosystem is manageable and programmable with the ezon.io companion APP. Available for free download from App Store and Google Play.



The ezon.io products should not ever be used in any way to manage medical devices or other technical products which are critical for the functioning of lifesaving or supporting systems, cause in the case of failure that may lead to the death or injury of a person. Usage of ezon.io devices in such systems requires the explicit written permission of the Mediatech Srl CEO.

For further information www.ezon.io.

