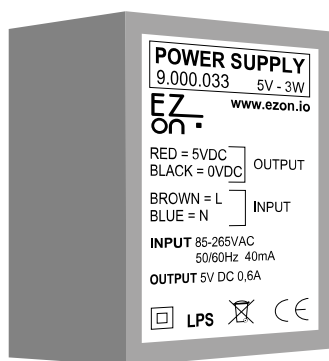
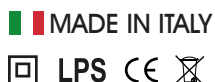


POWER SUPPLY cod.9.000.033



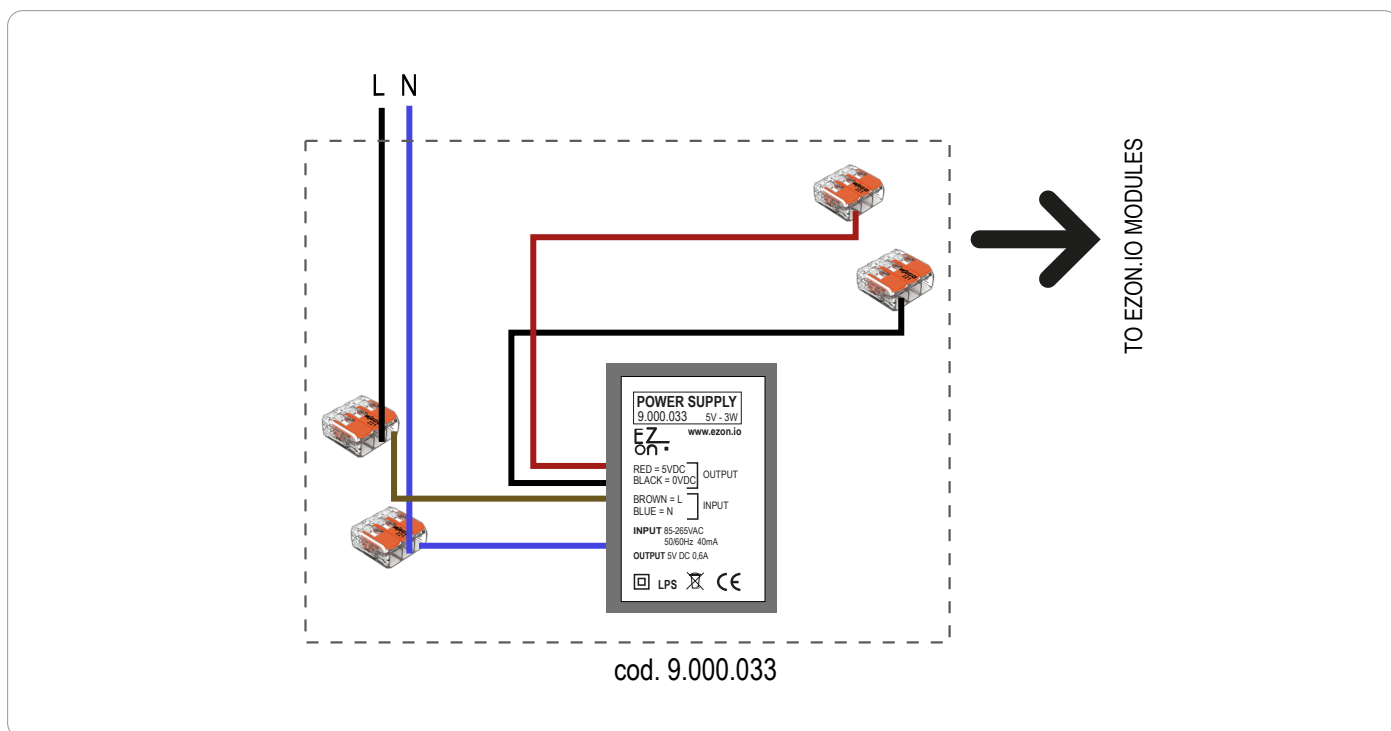
Product code:	9.000.033
Sizes:	37 x 21 x 24mm
Input voltage:	85-265VAC
Output voltage:	5VDC
Output current:	600mA
Warranty:	2 years



The ultra compact power supply for all the **ezon.io** devices.

Ezon.io Power Supply is a ultra compact power supply with 3W output, is needed to provide the right power supply to all the ezon.io devices.

With a single power supply it is possible to power up to 3 ezon.io modules.



The ezon.io ecosystem is manageable and programmable with the ezon.io companion APP. Available for free download from App Store and Google Play.



The ezon.io products should not ever be used in any way to manage medical devices or other technical products which are critical for the functioning of lifesaving or supporting systems, cause in the case of failure that may lead to the death or injury of a person. Usage of ezon.io devices in such systems requires the explicit written permission of the Mediatech Srl CEO.

For further information www.ezon.io.

